

1/2" HEX SCREWDRIVER BIT SOCKETS


Description :

- ISO 2725-1 - DIN3124 - ISO 1174-1
- Chrome vanadium steel.
- High Chrome finish.

d1 [mm] :

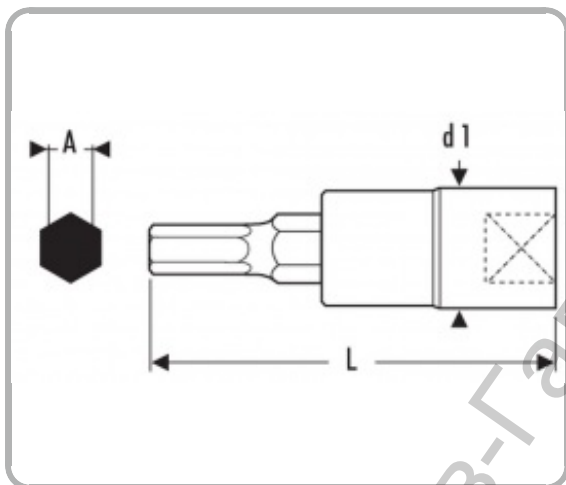
22

L [mm] :

55

Conditioning :

1


References :

	EAN	A [mm]	[g]
<u>E031901</u>	3258950319018	4	59
<u>E031902</u>	3258950319025	5	60
<u>E031903</u>	3258950319032	6	62
<u>E031904</u>	3258950319049	7	64
<u>E031905</u>	3258950319056	8	65
<u>E031906</u>	3258950319063	9	72
<u>E031907</u>	3258950319070	10	80
<u>E031908</u>	3258950319087	12	102

<u>E031909</u>	3258950319094	14	127
<u>E031910</u>	3258950319100	17	152
<u>E031911</u>	3258950319117	19	201

Ташев-Галвинг ООД
www.tashev-galving.com